

PIN-BASE
RETROFITS



TYPE A 4-PIN PL LAMPS



← omni-directional



rotating base ↑

- > Operates on compatible electronic ballasts.
- > 10W & 12W replaces up to 32W CFL lamps.
- > Available in 2700K, 3500K & 4000K color temperatures.
- > Up to 1100 lumen output.
- > Suitable for damp environments.
- > Not for use in enclosed fixtures.
- > Rotating base on LED-7334 allows for optimal light output.



120/277V
ALSO WORKS ON 208V & 240V

UL TYPE A BALLAST COMPATIBLE
INSTALL METHOD

4 PIN
BASE TYPE

MOUNTING

-40°F TO 104°F
OPERATING TEMP

80+
CRI

L70
50,000hrs RATED LIFE

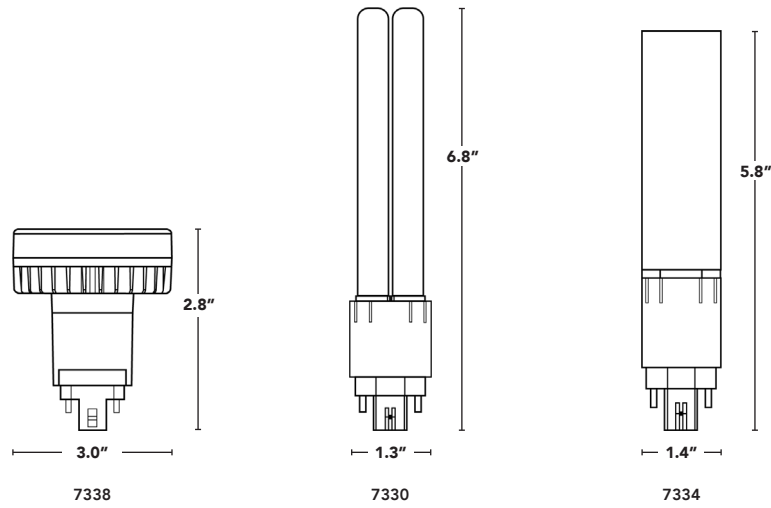
| PART # | UPC | REPLACES | WATTAGE | LUMENS | COLOR (K)* | BASE |
|-----------------|--------------|---------------|---------|--------|------------|---------|
| LED-7338-40A | 844006073671 | 26W 4 Pin CFL | 12W | 1100 | 4000K | G/GX24q |
| LED-7330-40K-G2 | 844006073619 | 26W 4 Pin CFL | 10W | 916 | 4000K | G/GX24q |
| LED-7334-40K-G3 | 844006067861 | 32W 4 Pin CFL | 12W | 1100 | 4000K | G/GX24q |

* additional color temperatures shown on page 2





TYPE A 4-PIN PL LAMPS



| PART # | UPC | REPLACES | WATTAGE | LUMENS | COLOR (K) | BASE | DLC CODE |
|-----------------|--------------|---------------|---------|--------|-----------|---------|--------------|
| LED-7338-27A | 844006073688 | 26W 4 Pin CFL | 12W | 1100 | 2700K | G/GX24q | PL0KE9TLV1LE |
| LED-7338-35A | 844006073664 | 26W 4 Pin CFL | 12W | 1100 | 3500K | G/GX24q | PLNRPUEMUXIJ |
| LED-7338-40A | 844006073671 | 26W 4 Pin CFL | 12W | 1100 | 4000K | G/GX24q | PLJGZ726RQNC |
| LED-7330-27K-G2 | 844006073596 | 26W 4 Pin CFL | 10W | 760 | 2700K | G/GX24q | PPPN43EC |
| LED-7330-35K-G2 | 844006073602 | 26W 4 Pin CFL | 10W | 850 | 3500K | G/GX24q | P91T97CO |
| LED-7330-40K-G2 | 844006073619 | 26W 4 Pin CFL | 10W | 916 | 4000K | G/GX24q | PLGO49OL |
| LED-7334-27K-G3 | 844006067830 | 32W 4 Pin CFL | 12W | 1100 | 2700K | G/GX24q | PLFOM2FU4L23 |
| LED-7334-35K-G3 | 844006067854 | 32W 4 Pin CFL | 12W | 1100 | 3500K | G/GX24q | PLSC56PYUI1J |
| LED-7334-40K-G3 | 844006067861 | 32W 4 Pin CFL | 12W | 1100 | 4000K | G/GX24q | PLN9XF209LW3 |

Additional Notes:

- > Check ballast compatibility list to ensure proper operation (available on led-llc.com/pl-retrofit).
- > Do not use in fully enclosed fixtures.
- > For dimming applications use LED-7330.